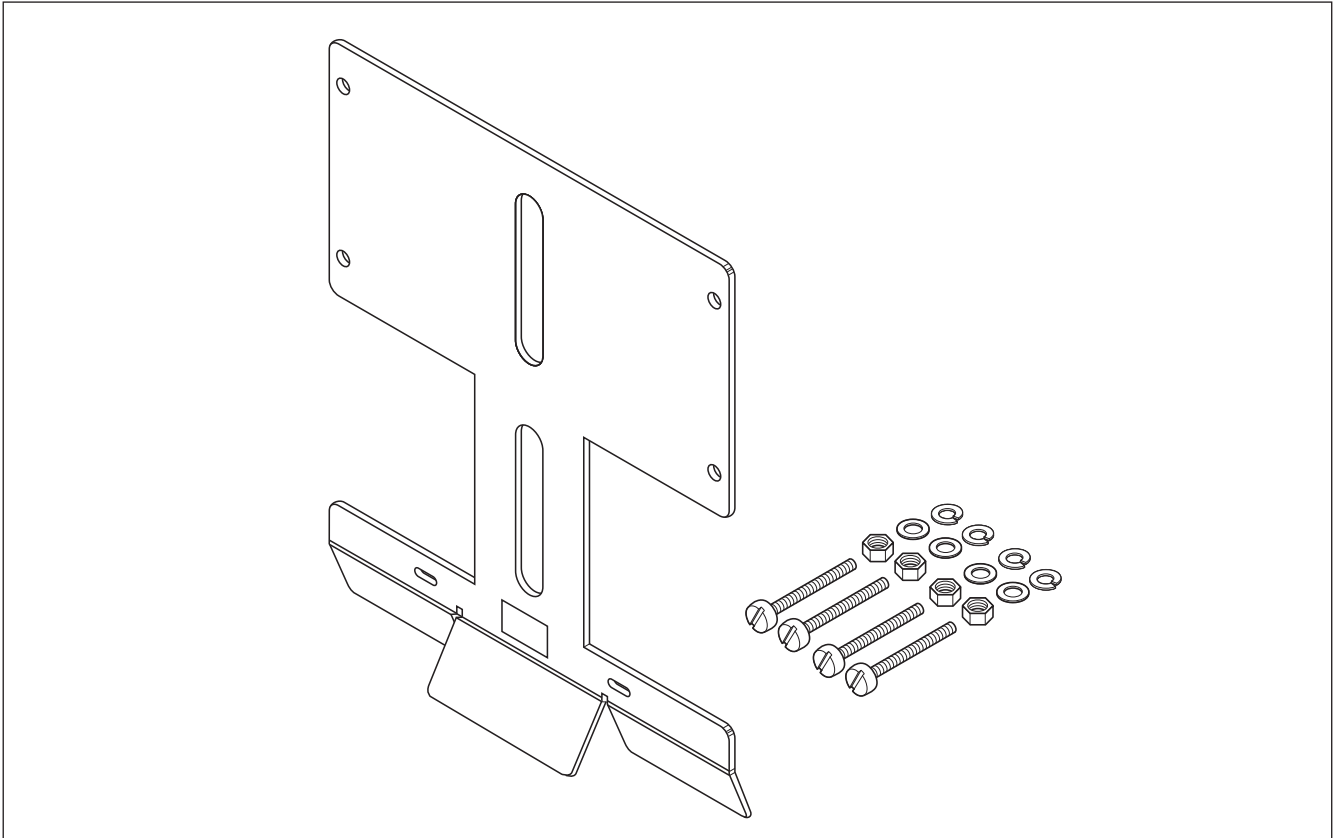


Support bracket



Kit contents

1 support bracket	
1 pack containing	4 M6 x 30 slotted cheesehead screws 4 M6 nuts 4 M6 plain washers 4 M6 spring lock washers

Support bracket

Material	2 mm sheet stainless steel
Making	Die stamped: SB-120

Surface treatment

Chemically passivated

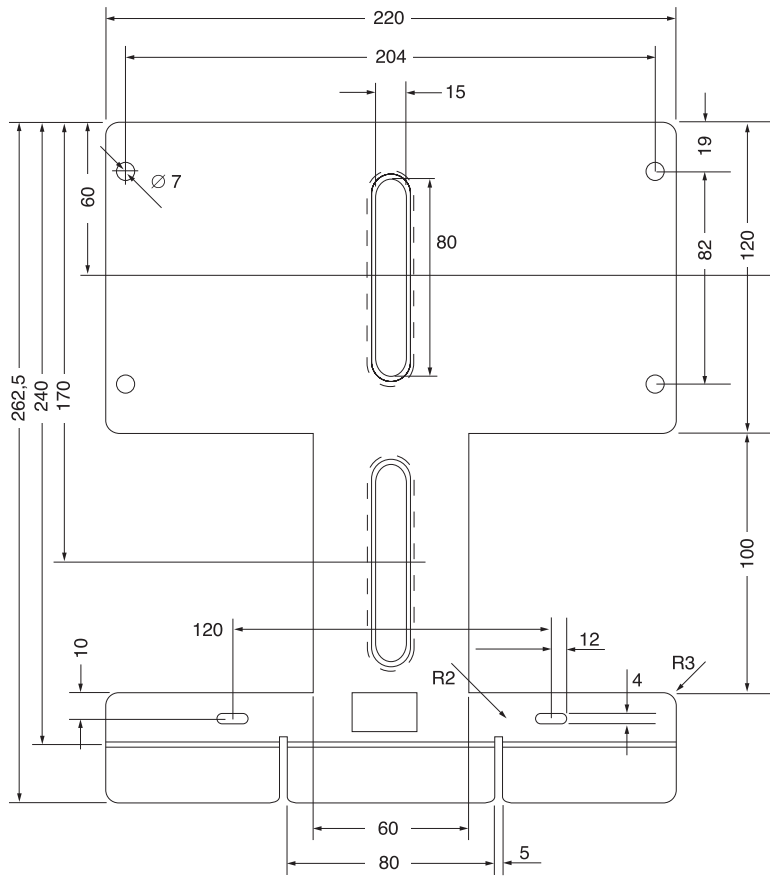
Dimensions

Dimensions are shown on the drawing below with the tolerance of ± 0.5 mm.

Ordering details

Part Description	SB-120
PN	165886-000
Pack size	1 per pack
Requires two pipe straps (not supplied)	Refer to page 150 (Pipe straps)

Dimensions (in mm)



Application	SB-120
T-M-20-S/+x-y/EX	•
T-M-20-S/+x+y	•

