

# REACH ELECTRICAL (S) PTE LTD

51 Ubi Ave 1, #03-05, Paya Ubi Industrial Park, Singapore 408933

Tel: (65) 6296 6860 Fax: (65) 6298 1443

Email: [reach@singnet.com.sg](mailto:reach@singnet.com.sg)

Website: <http://www.reachelectrical.com>

Company's Reg. No. : 199004352W G.S.T Reg. No. M2-0095215-4



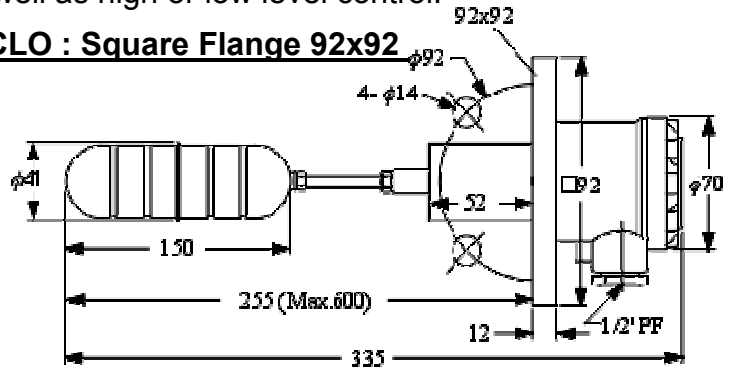
Cert. No.: SG02/00221

## Side Mounting Float Switch

The side mounting float level switches (LF series) are manufactured specifically for horizontal mounting in a tank and or vessel. They work well as high or low level control.

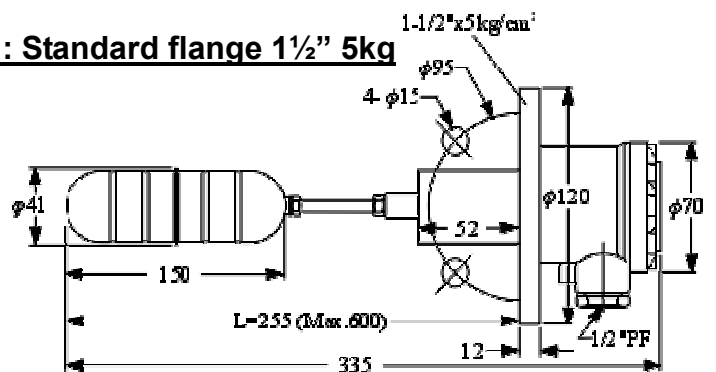
### Model No. LF10CLO : Square Flange 92x92

1. Housing material. : Aluminum (IP65)
2. Contact rating. : 5A/250Vac
3. Contact form. : SPDT (1C)
4. Max pressure. : 15 kg/cm<sup>2</sup>
5. Operation temperature. : -10~100°C
6. Material. : SUS 304
7. Suitable S.G. : 0.65
8. Weight. : 1.3 kg



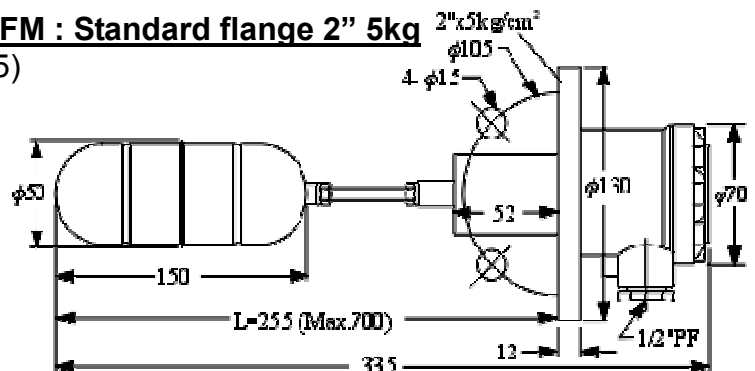
### Model No. LF10CEM : Standard flange 1 1/2" 5kg

1. Housing material. : Aluminum (IP65)
2. Contact rating. : 5A/250Vac
3. Contact form. : SPDT (1C)
4. Max pressure. : 15 kg/cm<sup>2</sup>
5. Operation Temperature. : -10~100°C
6. Material. : SUS 304
7. Suitable S.G. : 0.65
8. Weight. : 1.5 kg



### Model No. LF10DFM : Standard flange 2" 5kg

1. Housing material. : Aluminum (IP65)
2. Contact rating. : 5A/250Vac
3. Contact form. : SPDT (1C)
4. Max pressure. : 30 kg/cm<sup>2</sup>
5. Operation Temperature. : 10~100°C
6. Material. : SUS 304
7. Suitable S.G. : 0.55
8. Weight. : 2.1 kg



### Model No. LF10BHM : Light Specific Gravity

1. Housing material. : Aluminum (IP65)
2. Contact rating. : 5A/250Vac
3. Contact form. : SPDT (1C)
4. Max pressure. : 10 kg/cm<sup>2</sup>
5. Operation Temperature. : -10~100°C
6. Material. : SUS 304
7. Suitable S.G. : 0.25
8. Weight. : 3 kg

